

## Low profile compression load cells



V1.0



**Straininstall's low profile load cells are ideal for a range of structural and industrial applications where height may be limited and high accuracy is important.**

They have a high resistance to offset loads which is particularly useful in industrial weighing applications where true central loading cannot be guaranteed.

Manufactured from high tensile stainless steel, the standard fixing arrangement includes six counter bored holes with an optional base plate that enables the low profile load cells to become an integral part of the structures they are monitoring.

### Options

- Cabled or wireless
- Environmentally sealed to IP66 or IP68
- Can be used singularly or in sets
- Bored or tapped holes
- Optional base plate

### Features and benefits

- Can be retrofitted
- High resistance to offset loads
- Versatile - ideal for applications where height may be limited
- High safety factor
- Fully welded and hermetically sealed
- Compatible with COG system
- Bespoke solutions tailored to your specific needs

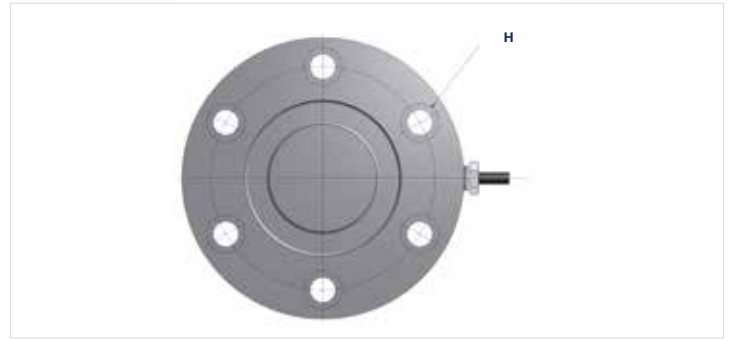
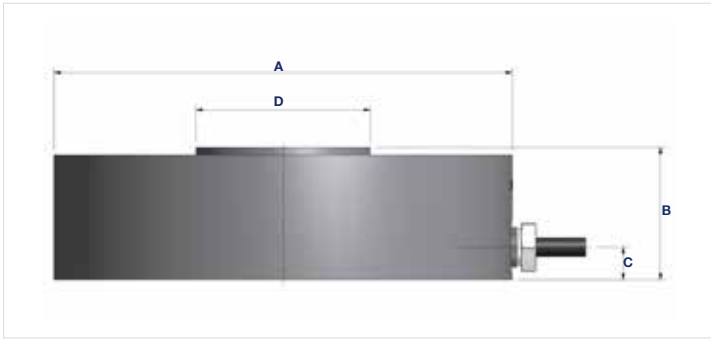
Typical specifications	mV/V output	mA output	External wireless interface
Rated load	As required		
Proof load	150% of rated load		
Non linearity	< ± 0.25% of full scale		
Non repeatability	< ± 0.05% of full scale		
Zero balance	< ± 0.05% of full scale		
Environmental protection	IP68		IP66
Safety factor	As required		
Operating temperature	-20°C to +60°C		
Storage temperature	-30°C to +80°C		
Cable connection	Gland or connector		N/A
Cable length	5m as standard		N/A
Output signal	mV/V	4-20mA	Wireless (Input signal mV/V)
Electrical connection	4 core	2 or 3 wire	N/A
Recommended excitation voltage	10V	N/A	N/A
Maximum excitation voltage	15V	N/A	N/A
Recommended supply voltage	N/A	24V	N/A
Maximum excitation voltage	N/A	30V	N/A
Bridge resistance	1000 Ohm	N/A	N/A
Sensitivity	1.5mV/V nominal	N/A	N/A
Data logging	N/A	N/A	In interface
Battery type	N/A	N/A	3 x D
Active battery life	N/A	N/A	Up to 500 hours
Standby battery life	N/A	N/A	Up to 1700 hours
Telemetry frequency	N/A	N/A	2.4Ghz ISM
System range	N/A	N/A	Up to 350m
Sampling rate	N/A	N/A	10Hz (500Hz max)

Due to continuous development, Straininstall reserves the right to change specifications without notice.



## Low profile compression load cell typical dimensions

### Low profile compression load cells



### Low profile compression load cell typical dimensions

Product code	DIA 2800	DIA 3356	DIA 3357
Load rating (tonnes)	0.1 to 20	10 to 50	40 to 100
A mm	112	150	184
B mm	25	45	53
C mm	11	12	12
D mm	50	60	70
Hole H	To suit 6 x M6 SKT CAP screws on 98 P.C.D	To suit 6 x M12 SKT CAP screws on 122 P.C.D	To suit 6 x M16 SKT CAP screws on 146 P.C.D



**Experts in bespoke load monitoring solutions, Strainstall can design and manufacture load measurement equipment to suit your specific requirements.**

Strainstall's enviable reputation for technical innovation is built on delivering quality products and services that have been engineered to the highest standards. We offer bespoke product design and manufacturing and can also provide complete project management capability to manage delivery to time, quality and cost, while ensuring to strict safety regulations.

We are a leading supplier of hazardous area approved equipment, including load cells, load pins and amplifiers, as well as full asset monitoring systems. All of our hazardous area products are fully certified by SGS Baseefa - the leading, internationally recognised certification body for explosion protected equipment.

We will work with you to fully understand your application and monitoring objectives using our significant experience to deliver improved operational performance.



**We are always happy to help find the appropriate, tailored solutions for your business needs. If you have any requests or suggestions please do not hesitate to contact us.**