

The Type 6113 electronic isolator has been specifically developed to protect rail signaling systems in the event of a transducer malfunction.

- **Dual Channel**
- **Self Contained**
- **Easy to Install**

The 6113 dual channel isolator provides electrical isolation for two 4-20 mA transducers, between track mounted equipment and equipment connected to external circuits.

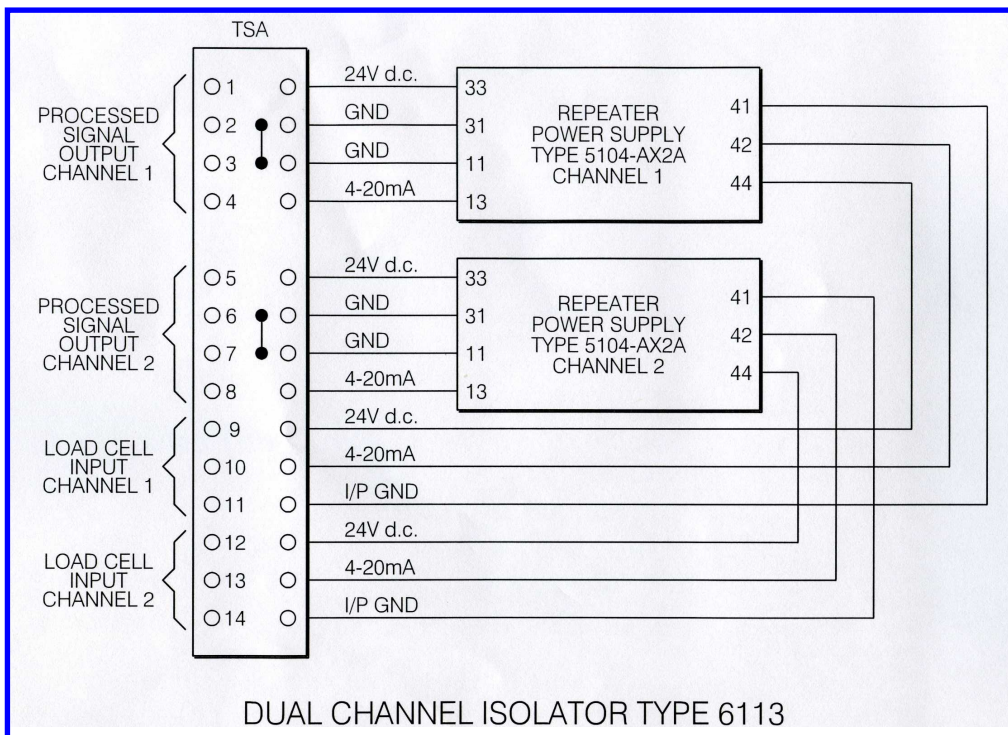
The unit is self contained, which allows retrofitting to existing installations without any additional modifications required.

Safety is the paramount design criteria, so the following additional features have been included:

- Electric isolation through 3-port 3.75 kVac galvanic isolator
- Power supply fusing by PCB mounted 400mA SB fuse
- Transducer supply fusing by 63mA QB fuse on terminal rail
- Internal wiring on non-conductive materials
- Cable sleeve channel to channel segregation
- Colour coded identification for each channel

Typical Specification

Power Supply	24 - 230 VAC 50 - 60 Hz 24 - 250 VDC
Input Signal	4 - 20 mA
Supply Fusing	400 mA SB/250 VAC
Isolation Voltage	3.75 kVAC/250 VAC
Transducer Fusing	63mA
Number of Channels	2
Response Time	< 25ms
Max Wire Size	2.5mm
Operating Temperature	-25° C to 80° C
Dimension (mm)	180 (H) x 180 (W) x 105 (D)
EMC (Railway)	BS EN 50121-4 : 2000



Strainstall UK Ltd
9-10 Mariners Way
Cowes
Isle of Wight
PO31 8PD

Tel: +44 (0)1983 203600
Fax: +44 (0)1983 291335
Email: sales@strainstall.co.uk
Website: www.strainstall.com