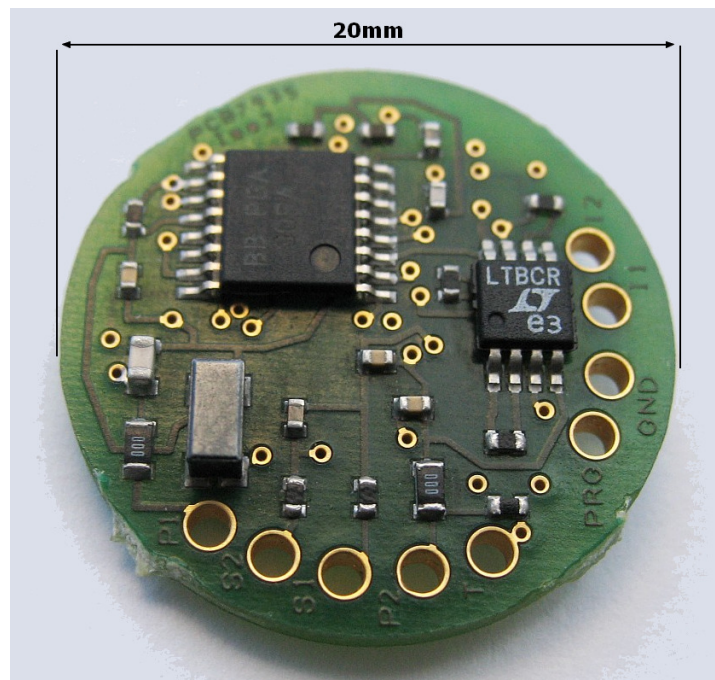


## 7935 Loop-powered Strain Gauge Amplifier

- ▶ 2-wire operation
- ▶ Embedded in device
- ▶ Wide temperature range
- ▶ Wide voltage range



### Description

The Strainstall 7935 amplifier interfaces strain gauges to external equipment and provides bridge excitation, signal conditioning and a 4-20mA output over a 2-wire connection. It is designed to be embedded in a load cell, thus simplifying connections and eliminating the need for external low-level signal cables and amplifiers.

The amplifier can operate with a supply voltage from 12V to 30V and over a temperature range of -40 to +70 deg.C.

Due to its small size, the amplifier can be incorporated into the body of a wide range of load cells. It has no external controls and is effectively maintenance-free.

The combined amplifier and load cell is suitable for use in hazardous areas. The amplifier is supplied embedded in a strain gauge assembly (e.g. a load pin) according to customer requirements and is calibrated during the manufacturing process. It is not available separately.

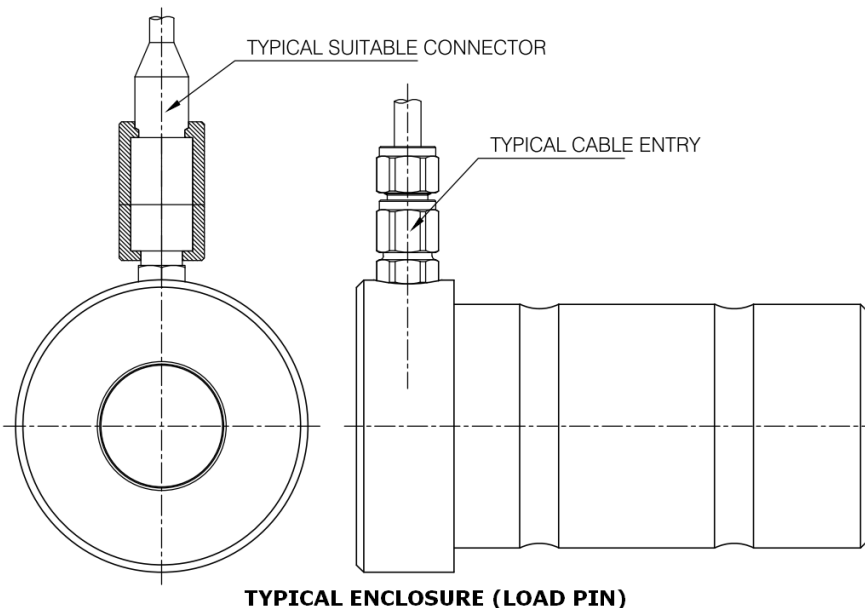
The amplifier specifications are given overleaf.

# 7935 Loop-powered Strain Gauge Amplifier

## Specifications

Parameter	Min	Typ	Max	Units
Supply Voltage	12	24	30	V
Reverse Polarity Protection	-30			V
Operating Temperature @24V	-40		70	°C
Bridge Excitation		1.3		V
Bridge Resistance	700		10,000	Ω
Bridge Sensitivity	0.5		50	mV/V
Bridge Zero Offset	-1.5		1.5	mV/V
Bridge Non-linearity Improvement		5:1	20:1	
Bandwidth	DC		150	Hz
Linearity (Full Range = 16mA)		0.02		%FR
Output Load @24V			800	Ω
Output (2-wire loop-powered)		4-20		mA

Due to continuous development, Strainstall UK Ltd reserve the right to change specification without notice



Issue No.1

Strainstall UK Ltd  
 9-10 Mariners Way  
 Cowes, Isle of Wight  
 PO31 8PD

tel: +44 (0)1983 203600  
 fax: +44 (0)1983 291335  
 email: sales@strainstall.com  
 www.strainstallloadcells.com